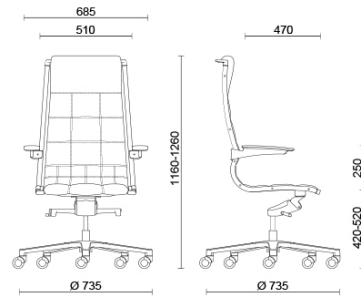


## Sit on It



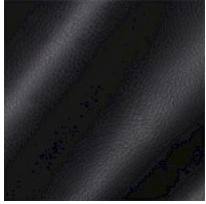
Sit On It 2, designed by Sergio Bellin and Dorigo Design, features innovative technology with a latest-generation dynamic tipping device, with an advanced fulcrum and five-position block. The modern and sophisticated styling is available in two different models, one with stitching and the other with pure, and highly elemental silhouettes. The seat is available in the executive, managerial and meeting versions.

## Executive upholstery with big squares pattern



## Materials and colours

### Cushion (black supporting fabric)



Faux leather CI  
Available colours 1



Leather TS  
Available colours 1

### Cushion (white supporting fabric)



Faux leather CI  
Available colours 1



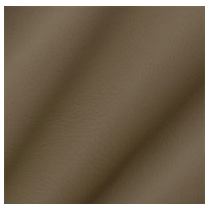
Leather TS  
Available colours 1

### Cushion (brawn supporting fabric)



Leather TS  
Available colours 1

### Cushion (taupe supporting fabric)



Faux leather CI  
Available colours 1



Leather TS  
Available colours 1

### Upholstery



Fabric SY | Sinergy  
Available colours 11

**Questo prodotto è garantito 5 anni.** Sitland Spa si riserva di apportare modifiche e/o migliorie di carattere tecnico ed estetico ai propri modelli e prodotti in qualsiasi momento e senza preavviso. Le foto e i colori visualizzati sono puramente indicativi e possono variare rispetto alla realtà. Per maggiori informazioni si prega di contattare il nostro Servizio Clienti [service@sitland.com](mailto:service@sitland.com)